



Seating Solutions

sit
well
sit
healthy

SEATING OVERVIEW

Task Multi-purpose Auditorium Lounge Collaborative Tables



Seating Solutions

SEATING OVERVIEW

Task Multi-purpose Auditorium Lounge Collaborative Tables

TODAY, WE SPEND
APPROXIMATELY

80%

OF OUR TIME
SITTING; BUT ARE WE
SITTING CORRECTLY?

WE **SIT** WHEN WE
WORK. WE **SIT** WHEN
WE PLAY. WE **SIT** AND
STUDY. WE **SIT** WHEN
WE **EAT**. WE **SIT** TO
DRIVE. WE **SIT** TO DO
SO **MANY THINGS**.

sit well sit healthy

Connecting and enriching lives has always been our core philosophy at Wipro. The pandemic has paved the path for many knowledge-work organisations to adopt **Hybrid Ways of Working** along with new emerging best practices.

For us, being relevant and reinventing our goals to address these changing times whilst optimising **'human well-being'** and **'overall system performance'** is the primary objective. Under our new business name of **Wipro Seating Solutions**, we offer you the most appropriate and innovative product solutions in a wide range of Seating, Collaborative furniture, Sofas, Work from Home desks & tables.

We are here to serve you better in this 'new normal'. Our values and our promises are still the same. Wipro Seating Solutions is just our 'new normal name'.



Seating Solutions

WIPRO SEATING SOLUTIONS

humane by design

Our design philosophy believes in innovation that leads to improving the quality and providing cutting-edge sustainable seating solutions; keeping in mind the ergonomics, health, well-being and performance of the end user.

- A wide range of products for different applications
- Designer products from international designers
- Design and development of solutions and products coherent to customer needs
- Value-added inspiring solutions
- Trustworthiness and reliability of Wipro

17+

Years of
Operation

10+Lakh

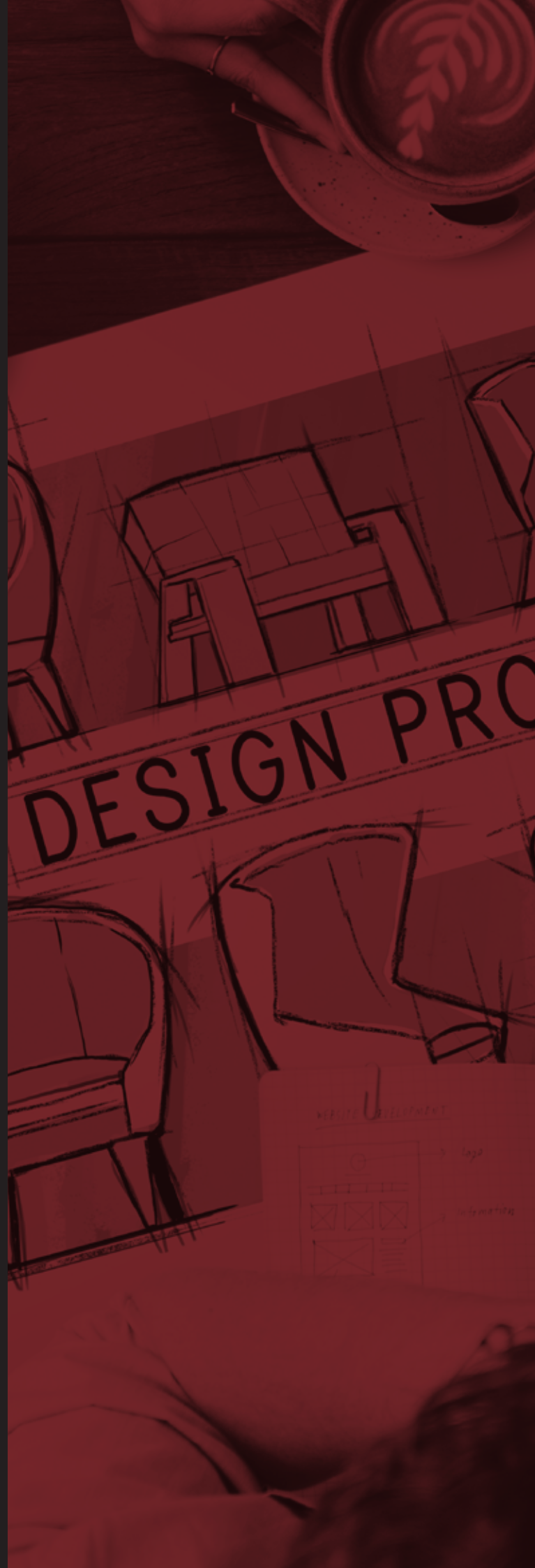
Chairs

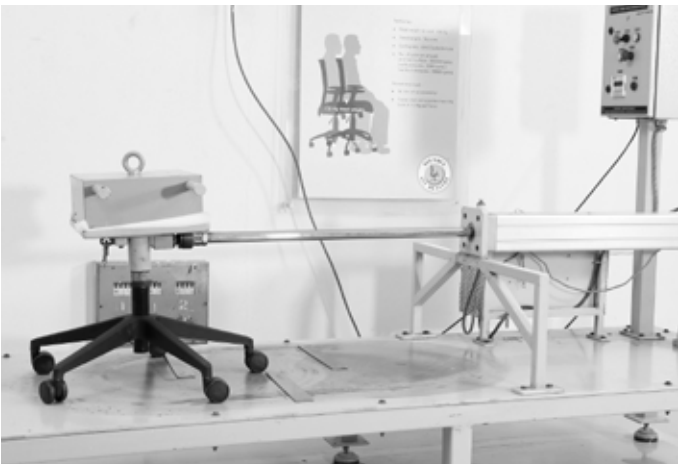
4,000+

Happy
Customers



Pan India
Presence





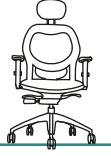
All Wipro chairs are certified as per **ANSI/BIFMA X5.1 performance tests**. These chairs also undergo rigorous testing and great care is taken in selection of raw materials especially for parts that come in contact with the human body.

Our seating manufacturing factory is enabled with best of the equipment and quality testing facilities.

Certifications

- ISO 9001:2015 for quality management system
- ISO 14001:2015 for environmental management system

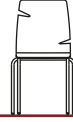
INDEX



Task Seating

08

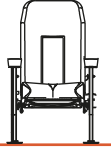
Choosing task chairs that are both ergonomically designed and comfortable can bring about a major change in employees' health, happiness as well as productivity.



Multi-purpose Seating

24

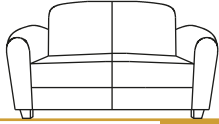
Multi-purpose range includes seating in classrooms, training centers and lecture halls; at the same time, it is meant to complement the aesthetic and ambience of informal spaces adding a dimension of strength.



Auditorium Seating

32

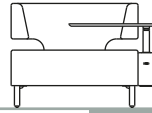
The auditorium seating is of crucial importance as the audience sit for longer durations in one place to concentrate and focus, especially for seminars & training sessions.



The lounge area creates the first impression about a place. It needs to be gorgeous, relaxing, inviting and comforting at the same time, as it also lets your guests know how important they are to you.

Lounge Seating

36



The rise in alternative workspaces that are more engaging, less regimental and more resimercial, redefines the need for smart, functional, flexible and collaborative furniture that enhances your interactions at the workplace.

Collaborative Seating

44



Many companies today, are responding positively to the 'WFH' concept. Our stylish & clutter-free tables provide a dedicated workspace with minimal distractions to complete your work.

Tables

60

TASK SEATING

Professionals spend more than **80% of their time sitting at their desk**. Due to the work pressure, they unknowingly slip into a temporarily comfortable, yet **unhealthy posture leading to health problems** related to neck, spine and back.

Task Seating by Wipro Seating Solutions offers **ergonomically designed chairs** that you to sit healthy.



Adapt Flexible like you

Adapt is a premium **mesh-back chair with innovative technology** and contemporary looks. An automatic tension adjustment control adapts according to the user's weight ensuring the body is perfectly balanced and supported. Adapt stays flexible and keeps your back stress-free.



Features

Automatic Weight Sensing Mechanism (AWSM)

Height adjustable lumbar support

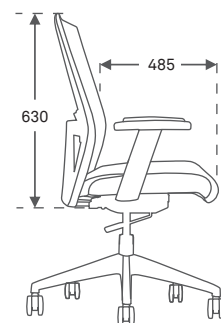
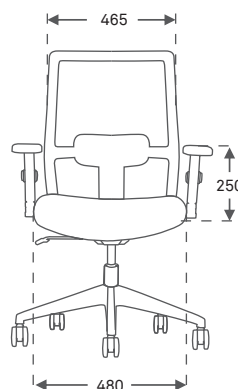
Adjustable armrest with soft PU padding

Wide frame with soft mesh

Configuration options

Back	High Back, Mid Back, Visitor
Armrests	1D, 2D, Fixed
Base	Nylon, Aluminium
Castors	Nylon, PU
Mechanism	Synchro-1, AWSM with seat slide
Upholstery	Fabric

Awards & Certifications



Alivio Style that comes alive

Alivio, a premium mesh-back chair, is **visually delightful with contoured back and sculpted headrest** that defines a unique and distinctive style. The S-contoured chair back and lumbar support are carefully profiled to keep the back well supported at all times.



Features

Adjustable foam lumbar support

Clean look with a contoured backrest

Unique mesh gives your back extra comfort

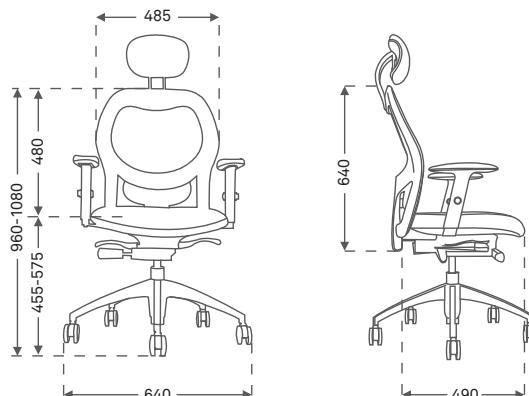
Configuration options

Back	High Back, Mid Back, Visitor
Armrests	1D, 2D, Fixed
Base	Nylon, Aluminium
Castors	Nylon, PU
Mechanism	Synchro-1, Synchro-3
Upholstery	Fabric, Leatherette

Awards & Certifications

BIFMA
BIFMA Certification
Passes BIFMA X-5.1 Standards


VOC Certification
Passes BIFMA X-7.1 Standards



Beetle

Defining freedom

Beetle perfectly complements modern offices which reflects high-performance workspace. Its **superior quality and superlative comfort** impeccably mirror the soul of the Beetle.



Features

Synchro Tilt locking

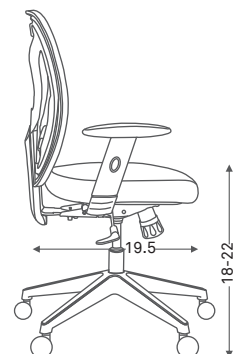
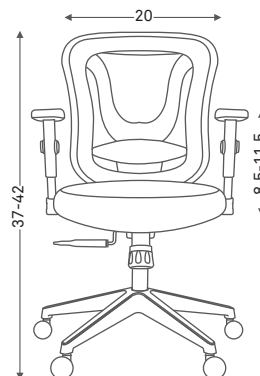
Adjustable armrest with soft PU padding

Compact chair sturdy frame

Lumbar support

Configuration options

Back	Mid Back
Armrests	1D, Fixed
Base	Nylon, Aluminium
Castors	Nylon, PU
Mechanism	Synchro-1
Upholstery	Fabric



Entity Embrace your uniqueness

Entity is a **refined chair for modern workspaces** with simple features. It's sleek edges enhance the visual appeal and make it stand out in any environment.



Features

Soft breathable mesh

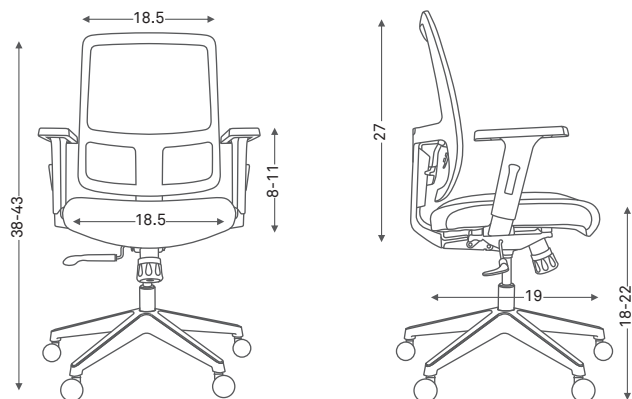
Adjustable Tilt locking

Adjustable Seat height

Adjustable knob for back-tilt tension adjustment

Configuration options

Back	Mid Back
Armrests	1D, Fixed
Base	Nylon, Aluminium
Castors	Nylon, PU
Mechanism	Synchro-1
Upholstery	Fabric



That's it The last word in comfort

A chair that offers you **generous space, good support** for your back and keeps your body stress-free, you know That's It! you've found the right chair!



Features

High Resilience PU Foam seat

Wide back-frame

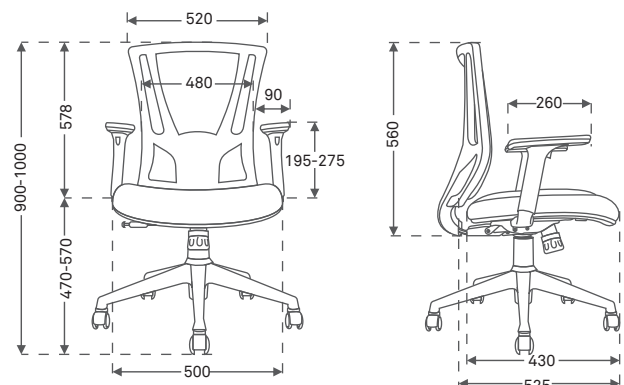
Ergonomic backrest

Synchro-tilt with 3-point locking

Adjustable armrest with soft PU padding

Configuration options

Back	Mid Back, Visitor
Armrests	1D, Fixed
Base	Nylon, Aluminium
Castors	Nylon, PU
Mechanism	Synchro-1, Synchro-3
Upholstery	Fabric



Zapper

An element of sophistication

Zapper is a **comfortable, affordable and reliable task chair** designed to handle long hours of serious sitting. It is a modernistic chair design that adds an element of sophistication to new-age workspace and enhances well-being of the urban culture.



Features

Adjustable tilt locking

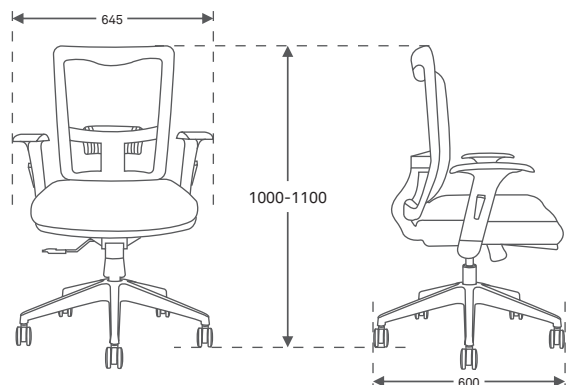
Adjustable seat height

Adjustable armrest with soft PU padding

Ergonomic backrest

Configuration options

Back	Mid Back, Visitor
Armrests	1D, Fixed
Base	Nylon
Castors	Nylon
Mechanism	Synchro-1
Upholstery	Fabric



Candid Gives you more

Candid is a versatile seating solution that gives you more than you expect. It is a **value-for-money chair** that will give you high-end features at an affordable price.



Features

High resilience PU foam seat

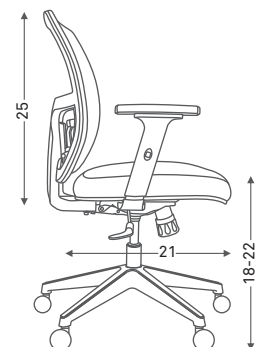
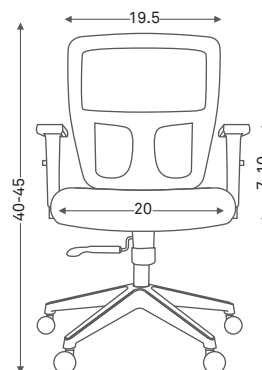
Adjustable tilt locking

Vertically adjustable lumbar support

Option of 2D adjustable armrest (front and back)

Configuration options

Back	Mid Back
Armrests	2D, 1D, Fixed
Base	Nylon, Aluminium
Castors	Nylon, PU
Mechanism	Synchro-1
Upholstery	Fabric



Define

Designed for luxurious seating

Define is made from selected leather and fabric that perfectly suits body temperature. Its premium finish makes define **a perfect chair for use by top management** and in boardrooms.



Features

Luxurious executive seating

High quality leather/ leatherette finish

Synchro tilt with 3-point locking

Ergonomic backrest

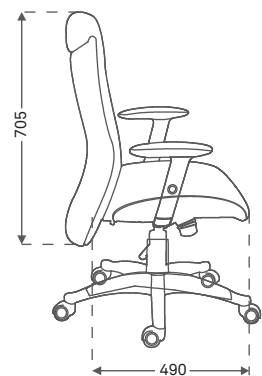
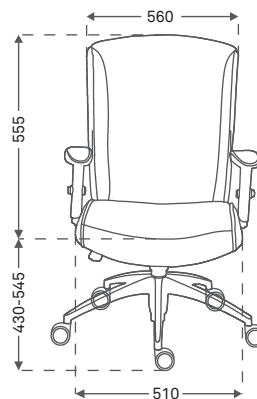
Configuration options

Back	High Back, Mid Back, Visitor
Armrests	1D, 2D, Fixed
Base	Nylon, Aluminium
Castors	Nylon, PU
Mechanism	Synchro-1, Synchro-3
Upholstery	Leather, Leatherette, Fabric

Certifications

BIFMA

BIFMA Certification
Passes BIFMA X-5.1 Standards



Aerosit As natural as you

Aerosit is a family of chairs that brings completely new dynamics to contemporary office seating. The **patented AeroFlo™ dual-layer seat** distributes weight evenly and reduces heat build-up in the body.

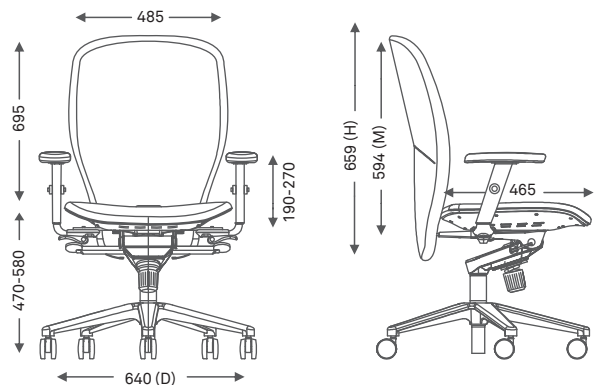


Features

-
- Designed by international designer Eric Chan
-
- Patented AeroFlo™ technology
-
- Adjustable knob for back-tilt tension adjustment
-
- Option of Polypropylene/ foam seat available
-

Configuration options

Back	High Back
Armrests	2D, 1D
Base	Nylon, Aluminium
Castors	Nylon, PU
Mechanism	Synchro-1
Seat options	Foam, PP



Smart

A unique combination of design and ergonomics

Smart is **ergonomically designed with Indian Anthropometric dimensions** in mind. Its light-weight frame gives it a unique multi-functionality in offices, cabins and meeting rooms.



Features

Adjustable tilt locking

Light-weight foam back chair

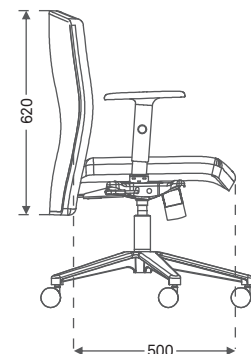
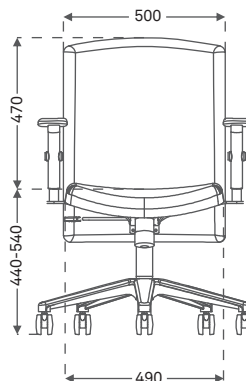
Adjustable armrest with soft PU padding

Available with leatherette option

Configuration options

Back	High Back, Mid Back, Visitor
Armrests	1D, 2D, Fixed
Base	Nylon, Aluminium
Castors	Nylon, PU
Mechanism	Synchro-1, Synchro-3
Upholstery	Fabric, Leatherette

Awards & Certifications





It's all about the way you sit while working!

Typically office chairs are classified as ergonomic when they have an adjustable seat height, seat depth and lumbar support.

Wipro Seating Solutions introduces a wide range of ergonomic seating inspired by humane design – called Pro-Spine Framework* ensuring comfort and the right posture.

Best sitting position

- ① Maintaining height of the computer / laptop monitor at a lower angle
- ② Keeping the forearms parallel to the floor where possible
- ③ Positioning knees at the same height or slightly lower than the hips
- ④ Maintaining a small gap between the back of the knees and the chair
- ⑤ Avoiding crossing knees or ankles








Configuration options		Adapt	Alivio	Beetle	Entity
Back	Mesh Back	●	●	●	●
	Foam Back				
	High Back	●	●		
	Mid Back	●	●	●	●
	Visitor	●	●		
Armrest	1D	●	●	●	●
	2D	●	●		
	Fixed	●	●	●	●
Base	Aluminium	●	●	●	●
	Nylon	●	●	●	●
Castors	Nylon	●	●	●	●
	PU	●	●	●	●
Mechanism	Synchro-1	●	●	●	●
	Synchro-3		●		
	AWSM	●			
Upholstery	Fabric	●		●	●
	Leather				
	Leatherette	●	●		
	Micro				





That's it	Zapper	Candid	Define	Aerosit	Smart
●	●	●			
			●	●	●
			●	●	●
●	●	●	●		●
●	●				●
●	●	●	●	●	●
		●	●	●	●
●	●	●	●		●
●		●	●	●	●
●	●	●	●	●	●
●		●	●	●	●
●	●	●	●	●	●
●			●		●
●	●	●	●	●	●
			●		
			●		●
●					



Which are the ergonomic task chairs available for my workspace?

				
Adapt	Alivio	Beetle	Entity	That's it


Which chairs have advanced adjustment features?

		
Adapt	Alivio	That's it

Which chairs have international quality certifications?

	
Adapt	Alivio

Which are the design award-winning chairs?


Adapt



Zapper



Candid



Define



Aerosit



Smart



Define



Aerosit



Smart



Define



Smart



Smart

MULTI-PURPOSE SEATING

In case of a **training cum guest seating space**, it is essential that we can seat different types of people in a simulating and pleasant environment.

Wipro's multi-purpose seating range is designed for a wide variety of applications and intuitive accessories that help you focus and relax.

Similarly, for **breakout zones**, we have colourful chairs that complement the décor of the space, while being **light-weight yet strong**.



Pep Versatility that livens up the space



Pep is a general purpose chair that **fits perfectly in trendy office environments**. This compact and light-weight chair is designed to be quickly moved around, making it truly useful, be it at home or at workplace.



Features

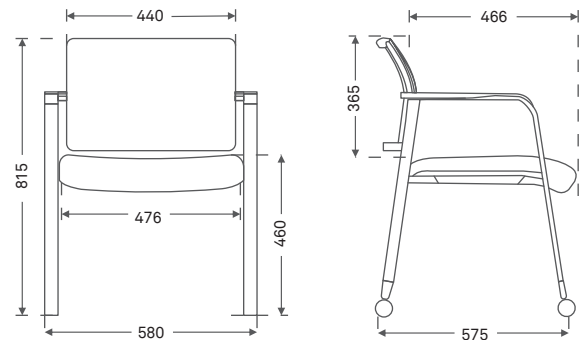
- Premium materials & finish
- Versatile & compact
- Clean lines with comfort & quality
- Complements the looks of all mesh chairs

Selection of finishes

Back Mesh	Seat
	
Black	Black Fabric

Configuration options

Understructure	Castors
Armrests	Fixed
Base	MS Powder Coated



Waltz One beam - multiple styles

Waltz offers a **premium level comfort** in a versatile beam option. This beam solution is ideal for corporate interiors, education, and healthcare markets.



Features

- Flex back design for movement & relaxation
- Ventilated design with slats to permit flexing
- In-line or corner tables available
- Configurable for U, L and Linear layouts

Selection of finishes

Upholstery options

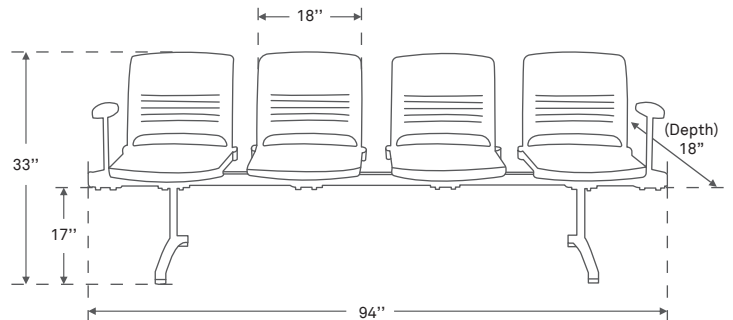


Plastic cover options



Configuration options

Understructure	Powder coated
Seat	2 to 5 seater available



Tango Refreshing multi-functional seating

Tango, brought to you by Wipro Seating Solutions, represents a refreshing concept in multi-functional seating. **Simple yet powerful**, designed with modern and distinctive features, Tango is suitable for every setting and every purpose.

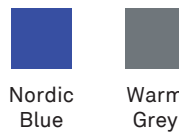


Features

- Premium materials & finish
- Versatile & compact
- Outstanding comfort & quality
- 5 Years warranty

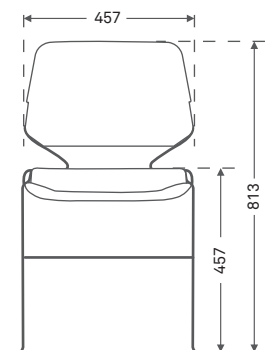
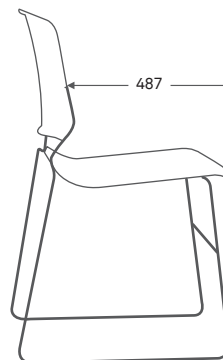
Selection of finishes

Plastic cover options



Configuration options

Base	Powder coated, chrome plated
Add-ons	Option of tablet available



Salsa Delightful form, design and comfort

Salsa is a true multi-purpose chair built with a simple form and contemporary design. It's a perfect **combination of durability and personal comfort.**



Features

Stackable space saving design

Flexible & durable

Option of foam upholstery available for seat & back

Selection of finishes

Upholstery options



PL 137
Black



PL 150
Planet

Plastic cover options



Warm
Grey



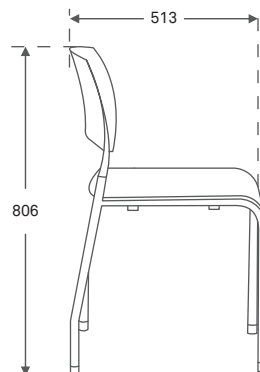
Red



Blue

Configuration options

Understructure	Castors, Glides
Armrest	Fixed, No armrests
Base	Powder coated
Add-ons	Option of tablet available



Munch A perfect brew of zest and style

Munch carries a **cool designer look** which is highlighted by its 'munched' back that is a good looking convenience to hang your bag.



Features

-
- Designed to hold straps & hand bags
-
- Well designed bushes to help correct stackability and damping to shocks
-
- I-Design 2012 Award-winning chair
-

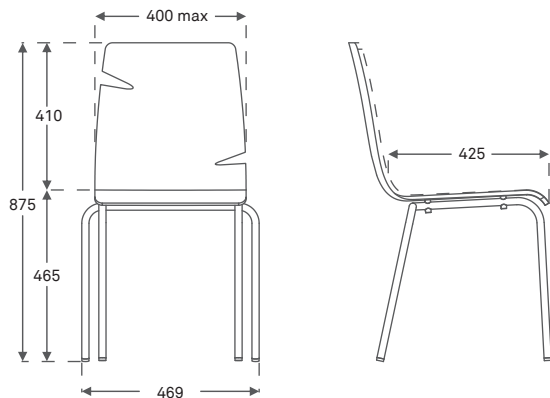
Configuration options

Understructure	Powder coated
Upholstery	Bent ply mould double side re-engineered veneer

Selection of colours



Award



Toffee Colourful designer café range

Toffee is a sturdy café cum multi-purpose chair with a **unique lattice back** and colours that add a light and happy look.



Features

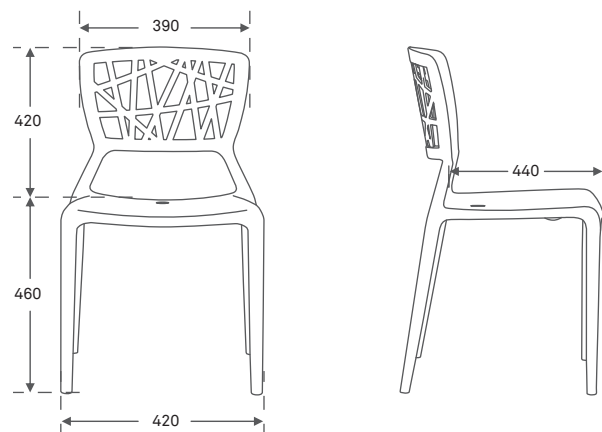
-
- Single mould construction
-
- Tough, high performance plastic
-
- Bright trendy colours
-

Selection of colours



Configuration options

Understructure	Single-mould construction High performance plastic
----------------	---



Pepper Meet. Chat. Whatever.

Pepper can **liven up any space with its vibrant colours**. It is ideal for restaurants, office cafeterias, homes and other informal seating spaces.



Features

Single moulded structure

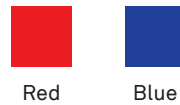
Light-weight & stackable

Cleft for easy handling

Configuration options

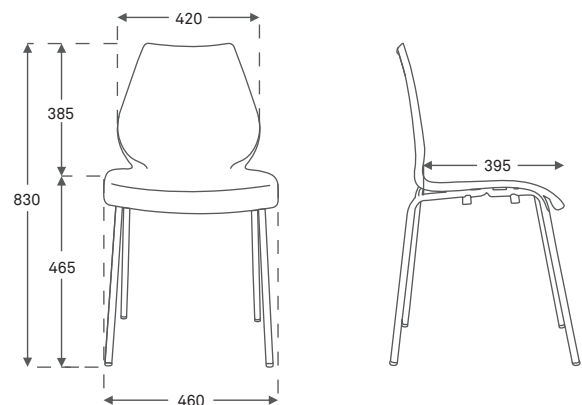
Understructure	Powder coated
Upholstery	Virgin mould plastic

Selection of colours



Red

Blue



AUDITORIUM SEATING

Designing seating for large corporate auditoriums has its unique challenges. Wipro Seating Solutions has designed the **'Box Office'** Auditorium seating range by **understanding the needs of the audience**, so that there's room for every elbow.

Cushioned for comfort and shaped for luxury, this one-of-a kind range is bound to alleviate your seating experience.



Symphony Superlative comfort

Symphony keeps you relaxed in its generously sized seats. Symphony offers a variety of options that enhance user comfort and is the perfect seating to add that **extra-special touch to your auditorium.**



With Tablet

Features

Specially designed large plush seats for relaxed seating

Fluimatic™ slider mechanism for superlative comfort

4-bolt flange for extra stability

Polypropylene back and seat pan for easy maintenance



Wooden



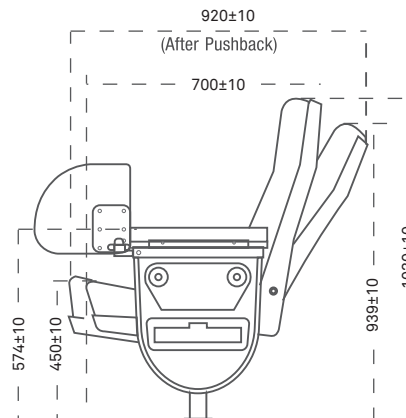
Cup-holder



Waterfall

Configuration options

Armrests	PU Waterfall, PP Cup Holder, Wooden, Tablet
Backrest	Push-back



Ballet Experience delightful luxury

Ballet is a **combination of comfort and sleek looks** with a compact footprint. Sink your body into sheer nothingness and soak yourself in the captivating atmosphere that only Ballet can offer.



Features

Fluimatic™ slider mechanism for superlative comfort available

Compact seating with Waterfall Edge Design

Polypropylene back and seat pan for easy maintenance

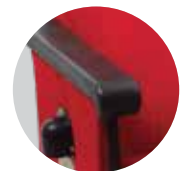
Option of fixed back & push-back backrest



Wooden



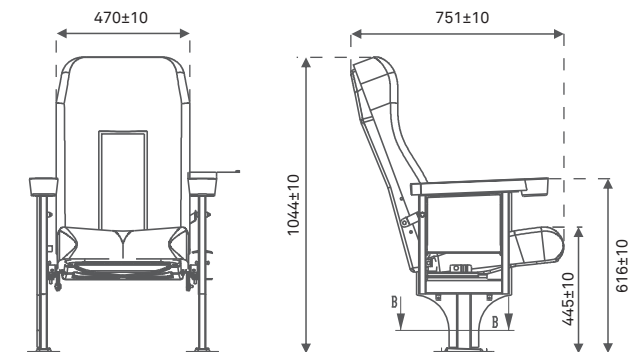
Cup-holder



Waterfall

Configuration options

Armrests	PU Waterfall, PP Cup Holder, Wooden
Backrest	Push-back, Fixed



Concert Made for compact spaces

Concert is an **optimally designed chair** specially for use in seminar halls, community halls, and small auditoriums.



Features

- Premium fixed back chair
- Sleek and profiled 'V' wings on aisle side
- Polypropylene back and seat pan for easy maintenance
-



Wooden



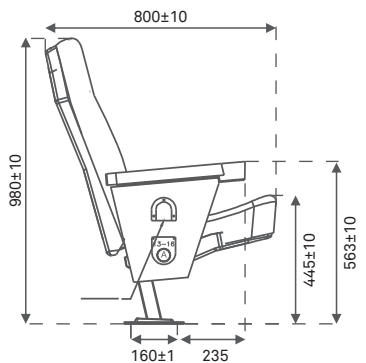
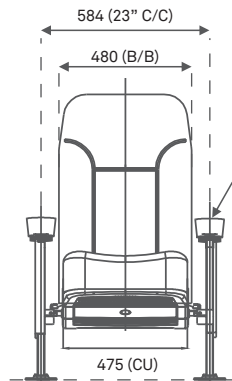
Cup-holder



Waterfall

Configuration options

Armrests	PU Waterfall, PP Cup Holder, Wooden
Backrest	Fixed



LOUNGE SEATING

Wipro Seating Solutions presents '**Cloud-9**' - Lounge seating designed exclusively for spaces where seating is expected to be an expression of the **sophistication in simplicity**.

This designer range can be used in reception lounges, guest seating, office lounges, and public spaces like hotel & airport lobbies.



Alysia Ultimate relaxing experience

Transform the hotel lobbies, reception area and other hang-out places with this **absolutely breathtaking range of lounge seating**. Alysia is immaculately crafted to offer you comfort as well as firm support.



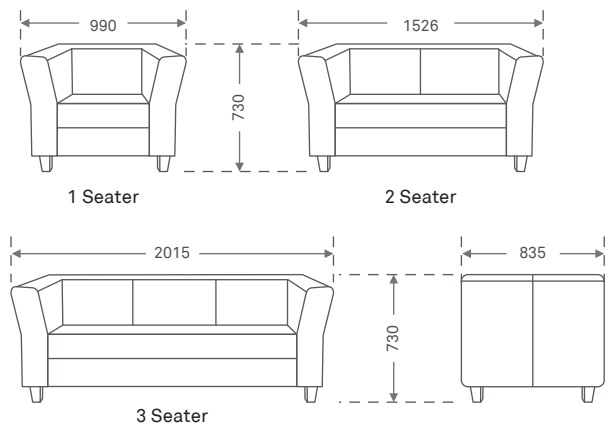
Features

- Superior leatherette quality
- Special webbing with diagonal weave for even weight & stress distribution
- Multi-layered foam for firm support
- Wrinkle-free and soft upholstery

Configuration options

Seating	3 / 2 / 1 Seater
Upholstery	Leatherette

Selection of colours



Vogue

Flaunt European aesthetics

Vogue is designed with a muted colour palette and deeply lined seats. With its **signature 'V' shaped stainless steel legs**, Vogue brings a subtle sophistication inspired by the west.



Features

Stainless steel legs

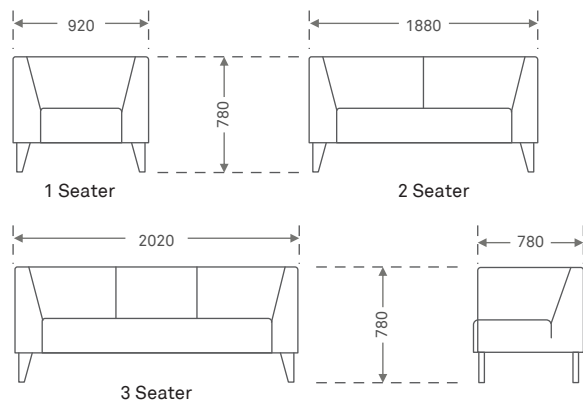
Western style décor inspiration

Subtle matte colour finish

Configuration options

Seating	3 / 2 / 1 Seater
Upholstery	Leatherette

Selection of colours



Delphi A masterpiece of your space

Simple, sleek and stylish are the three words that are synonymous with Cloud 9 sofa range. Clean lines, disciplined cushion geometry and single colour upholstery makes these especially suitable for any office environment.



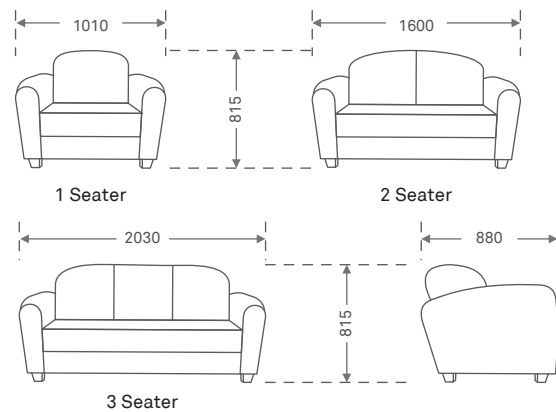
Features

- Inner solid frame structure
- Nylon bonded thread for lasting stitch strength
- Strong & durable

Configuration options

Seating	3 / 2 / 1 Seater
Upholstery	Leatherette

Selection of colours



Bliss

Settle comfortably and rejuvenate

Bliss lets you settle comfortably with its **plush, rounded and cozy demeanor**. It helps you rejuvenate at every break.



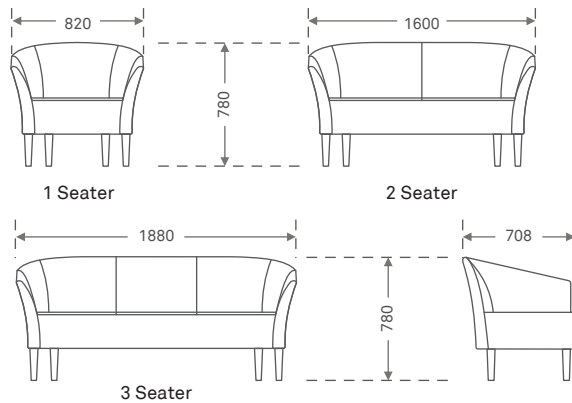
Features

- Coveted round armrests
- Frame structure made of high quality solid wood
- Space saving design
- Subtle charm

Configuration options

Seating	3 / 2 / 1 Seater
Upholstery	Leatherette

Selection of colours



Cuby Bring out the best and complete package

Compact yet comfy, Cuby has been designed with shelter-style support that envelops you with **ease and coziness**. Ideal for office receptions or restaurant lounge areas, the space can be easily transitioned from singular seating to multiple seating space.



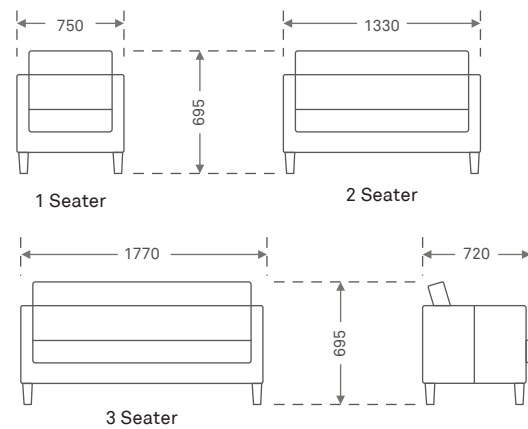
Features

-
- Sleek, Cozy & Comfortable
-
- Compact modular lounge seating
-
- Silicon treatment of polyester filling ensures volume of foam remains consistent
-

Configuration options

Seating	3 / 2 / 1 Seater
Upholstery	Leatherette

Selection of colours



Fabric options

B.E.S.T. Fabrics



Cinnamon Brown



Olive Green



Rich Red



Cool Blue

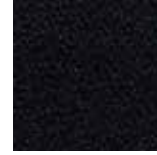


Jet Black

Plano Fabrics



Apollo



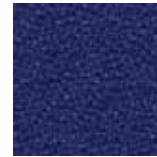
Black



Planet



Cinnamon



Electric



Dago Orange

B.E.S.T. Fabric specifications

Composition	100% Polyester
Bursting Strength	53.8 KG/cm ²
Abrasion	>30000 cycles
Tear Strength	Warp = 5.4 KG, WEFT = 5.9 KG
Flammability	California Technical Buletin 117, Sec E, Part 1 (CS191-53)
Fire Proofing	Cal 117, Sec E by cigarette part 1, Cigarette test
Sweat Rubbing	4-5
Dry Rubbing	Grade 4-5 (ATTCC8:2001), (GB/T3920-1997)
Wet Rubbing	Grade 4-5 (ATTCC8:2001), (GB/T3920-1997)
Thickness	340 GSM
Colour Fastness	5 (ISO 105-B02:1997)

Plano Fabric specifications

Composition	100% Polyester
Bursting Strength	
Abrasion	50000 cycles
Tear Strength	
Flammability	BS EN 1021-1:1994 (Cigarette), BS EN (Low Hazzard)
Fire Proofing	BS EN 1021-1:1994 (Cigarette)
Sweat Rubbing	4
Dry Rubbing	Grade 5 (ATTCC8:2001), (GB/T3920-1997)
Wet Rubbing	Grade 4-5 (ATTCC8:2001), (GB/T3920-1997)
Thickness	295 GSM
Colour Fastness	5+ {BS 1006 (1990)} to Light

Leather/ Leatherette options



Black



Burgundy



Beige

Fabric options for 'Box-Office' Auditorium Seating

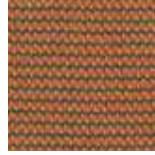
Viola Fabrics



Wood Brown



Carbon Blue



Desert Brown



Dark Crimson Red

Plano Fabrics



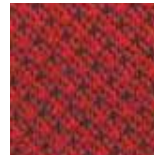
Ruby Red



Royal Blue



Aqua Blue



Dark Red

Cello Fabrics



Midnight Blue



Fire Brick



Red



Charcoal Black

Fabric specifications

Quality	100% Polyester Textured Dyed Yarn
Weight	275 GPM
Thickness	1.5 MM
Width	5.9 / 60 Inches
Abrasion	Above 15000 cycles
Light Fastness	4-5
Wet Rubbing	4-5
Dry Rubbing	4-5
Sweat Rubbing	4-5
Colour Matching	Shade Variation \pm 5%
Flammability	BS 3119, ASTM D 1230 : 1994, BS 5852
Tear Strength	Above 4000 gf
Breaking Strength	100KGF

COLLAB SEATING

Wipro Seating Solutions and the renowned designer **Michael Foley** present **Levitate** – a range of furniture designed to elevate the working comfort, express culture, and foster bonding.

This new furniture range bridges the gap by innovating the way furniture units can come together to create interesting formations optimising collaboration.



levitate™

elevate the working comfort

Designed by Michael Foley

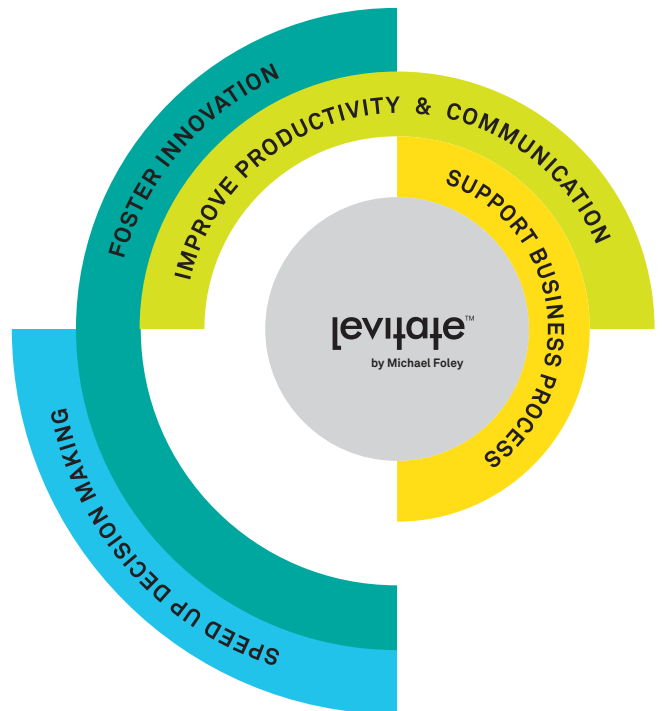
With the fast-paced change in workstyles and working habits, organisations are progressing towards creating a greater balance between conventional work practices, flexibility and comfort.



Michael Foley
 Founder & Creative Head,
 Foley Designs Pvt. Ltd.

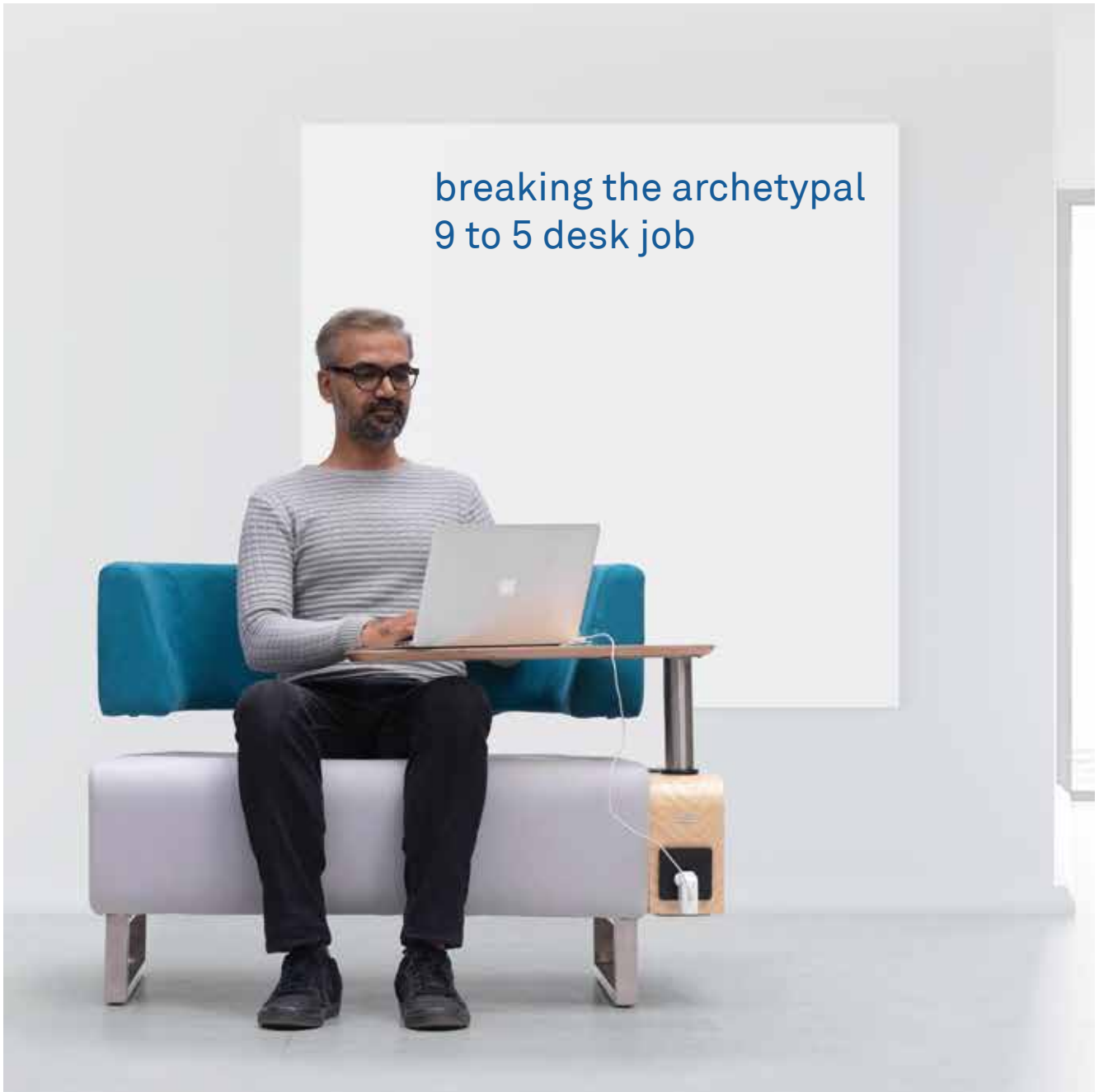
Thoughtfully designed, easily movable furniture elements to create reconfigurable functional spaces that address 5 key workstyles from **dedicated work**, **mentoring / learning**, **brainstorming**, **team support** to **impromptu meetings**.

Levitate increases productivity and proficiency by extending the freedom to work and largely drive the need for innovation and speed of decision making.



Dedicated Work	Mentoring	Brainstorming	Team Support	Impromptu
<p>ONE</p>	<p>ONE TO ONE ONE TO FEW</p>	<p>ONE TO ONE FEW TO FEW MANY TO MANY</p>	<p>ONE TO ONE ONE TO FEW FEW TO FEW MANY TO MANY</p>	<p>ONE TO MANY ONE TO FEW FEW TO FEW MANY TO MANY</p>

breaking the archetypal 9 to 5 desk job



This design allows you to take a gap from your regular workplace to make your thoughts more versatile and your day even more productive. Detach yourself from the crowd while extracting your ideas in an easily movable, reconfigurable array.



Configuration options





Dedicated sofa (small) with Beach Wood legs



Dedicated sofa (large) with tablet



Back-to-back arrangement of dedicated sofas (small) with built-in USB port



Cluster of four dedicated sofas (small)



Coffee table with reverse chamfered wooden top and sturdy metal base



Easily portable light-weight, sturdy personal table



Easy to clean, washable fabric



Built-in 3-pin socket* for convenience of power supply



Rotating working and writing tablet

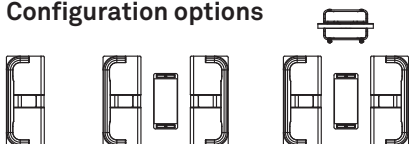
cohesive collaboration. coffee & conversations



This setup is designed to exchange knowledge and have conversations while you maintain social distance as well. Collaborate, ideate and relax while you have a super productive day.



Configuration options





Designer two-seater sofa



Spacious seating



Simple design with stainless steel legs that add to the aesthetics



Angular seating module for seating comfort and easy communication



Coffee table with reverse chamfered wooden top and sturdy metal base



Portable digital display unit with sturdy castors and built-in marker tray, 3-pin socket, USB port and HDMI cable port



Easy to clean, washable fabric

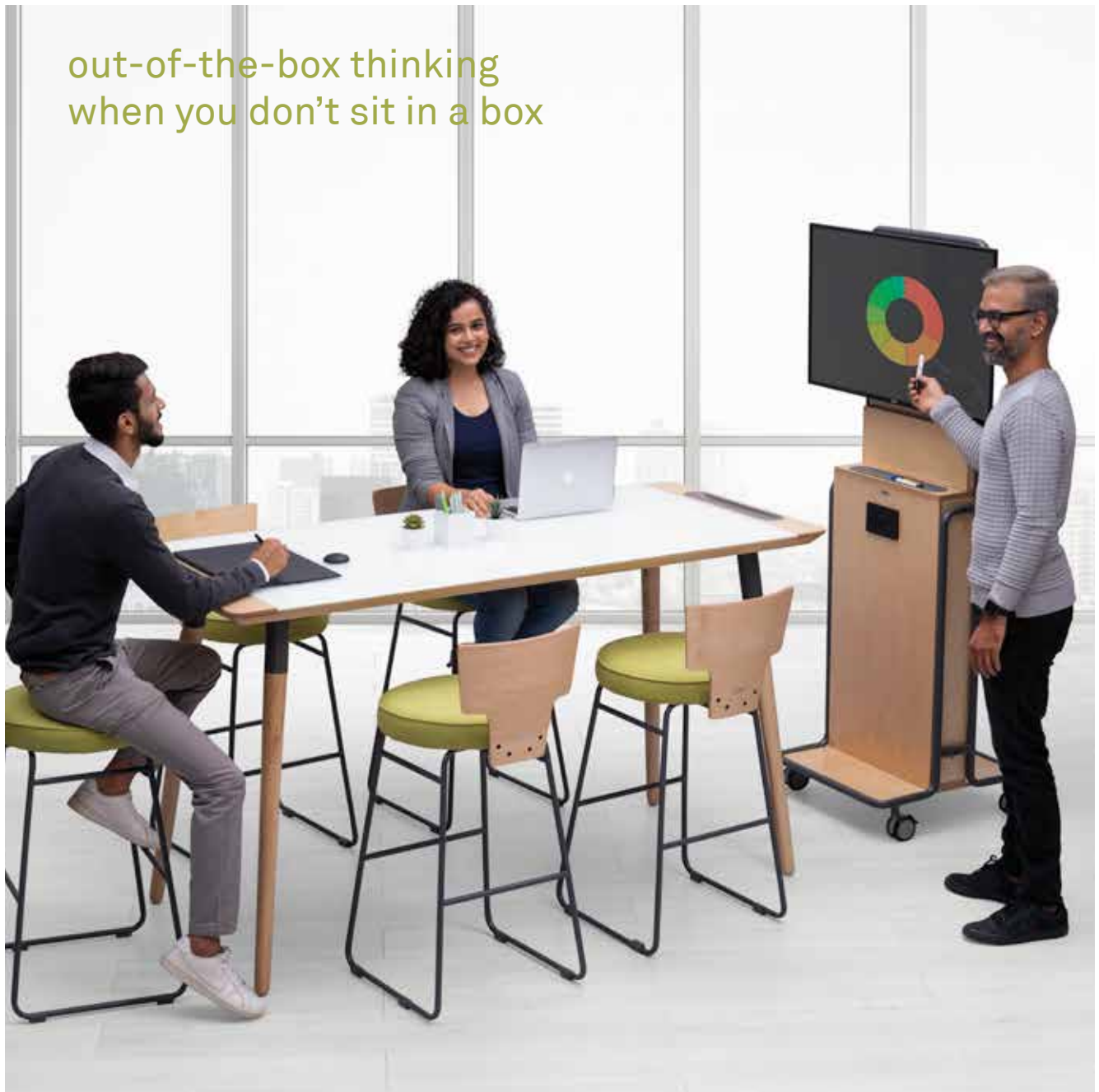


Integrated ledge along with built-in 3-pin socket and USB port



Door on the back side of the digital display unit

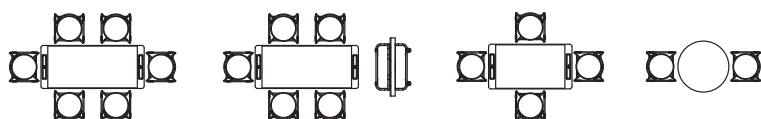
out-of-the-box thinking when you don't sit in a box



Get your creative brains to work by interacting and making the meetings a bit informal along with safe, social distancing. This design induces the thought of 'Fresh ideas need fresh air', and here is a set-up perfect for that!



Configuration options





4-seater high table with laminate top and wooden legs



Round table for quick meet-ups



Portable digital display unit with castors and built-in pen/marker tray, 3-pin socket, USB port and HDMI cable port



High stool with multi-layer multi-density PU high resilience foam to maintain firmness of the seat



Door on the back side of the digital display unit that gives access to additional storage space and electrical connections



Wooden tabletop with metal

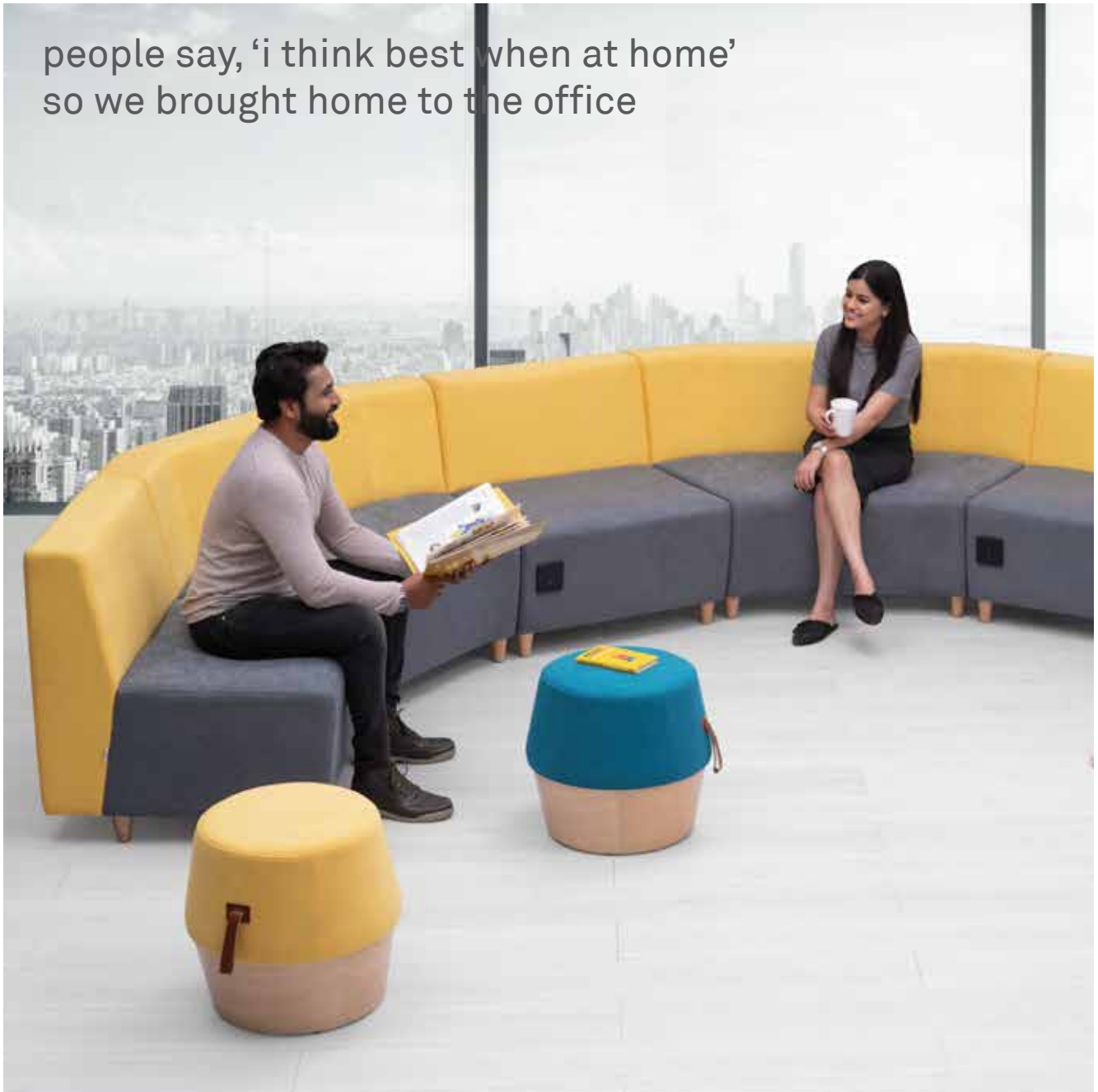


Metal understructure and reverse chamfered wooden tabletop



Built-in 3-pin socket, switch, USB port and HDMI cableport.

people say, 'i think best when at home'
so we brought home to the office



Meetings can be a lot more fun and interactive if people can unwind and relax while they work. This particular design allows you to simply get your work done and assist/guide others while you collaborate.



Configuration options





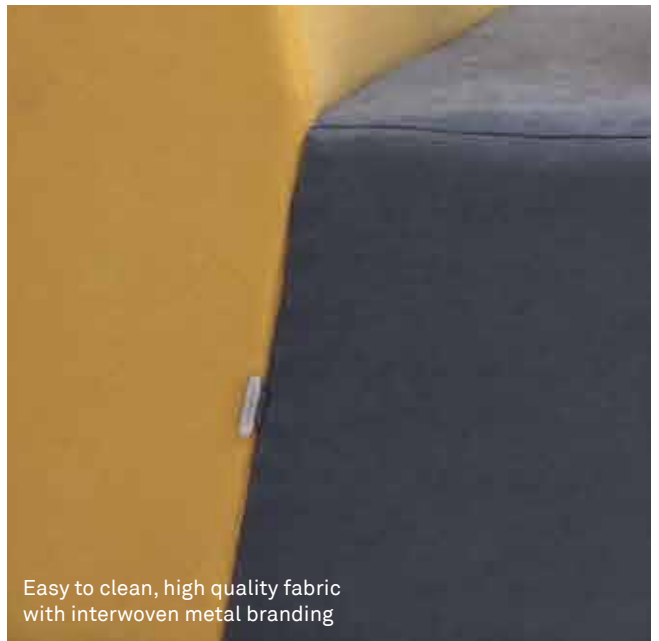
Angled fitting of seating and backrest



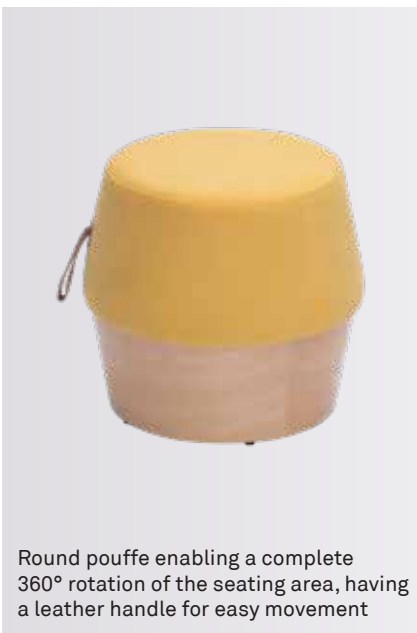
Built-in USB port



Detachable system for comfortable logistics and easy installation
Wooden legs provide stability



Easy to clean, high quality fabric with interwoven metal branding



Round pouffe enabling a complete 360° rotation of the seating area, having a leather handle for easy movement



Light-weight yet sturdy personal table with tubular metal structure



Coffee table with reverse chamfered wooden top and sturdy metal base

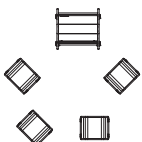
mobilizing impromptu innovations



Any place can be your meeting room now! All you need to do is just drag this 'A' stand that includes multiple sheets to write and multiple single-seaters for people to join and ideate! Classy yet light-weight, it can easily be stored and used whenever required.



Configuration options





Space saving A-Board



Space saving A-Board with the stools stacked inside



Paper-roll fitted inside for notes to take-away after the discussion and tray to keep pen/markers



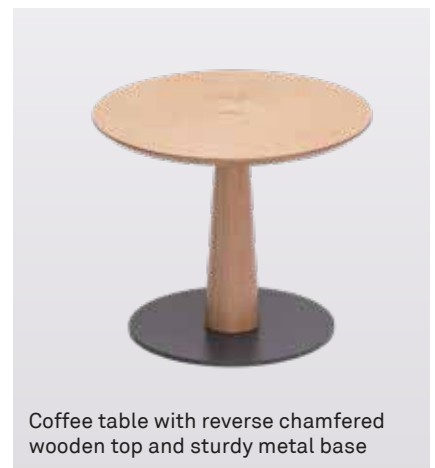
Base with tubular metal construction and lockable wheels



Stacked A-Board stools



Light-weight yet sturdy personal table with tubular metal structure



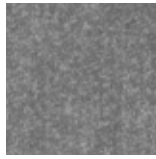
Coffee table with reverse chamfered wooden top and sturdy metal base

Fabric – Warwick Australia

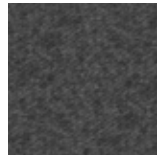
Dolly



Ash



Cement



Charcoal



Citron



Denim



Ebony



Flame



Magenta



Mink



Peacock

Ashcroft



Canary



Cloud



Grass



Gunmetal



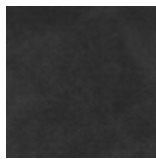
Kiwi



Navy



Ocean



Onyx



Orange



Pacific



Purple



Red



Scarlet



Silver



Teal



Lemon

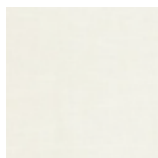


Pink

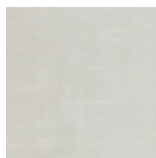


Turquoise

Orleans



Snow



Oyster



Fog



Bone



Pumice



Tapioca



Honey



Lichen



Ginger



Fawn



Hibiscus



Chili

Orleans



Orchid



Rhubarb



Grape



Seafoam



Clover



Pine



Moss



Storm



Lavender



Scuba



Sky



Surf



Capri



Driftwood



Asphalt



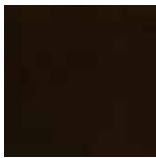
Evergreen



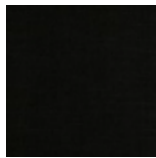
Marine



Navy



Cocoa



Jet

Wood Finishes



Natural Oak



Golden oak



Dark Oak

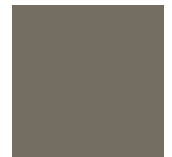
Powder Coating Finishes



RAL 7045



RAL 9023



RAL 7039

Finishes & Features

Upholstery Fabric (Warwick) comes with Fire Retardant Treatment, Spot Cleaning Feature, special treatment to protect from insects & pests

Fabrics also come with features such as high abrasion resistance, colour-fastness to light, stain and pilling resistance

S-shaped metal springs and elastic belts made of synthetic rubber to ensure long life suspension of seat. Multi-layer, multi-density PU HR foam to maintain firmness to ensure cushion will not flatten over usage

Upholstery available in monochromatic and contrasting colours for a personalised aesthetic

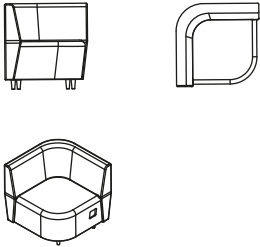
Combination of imported Pine wood and high grade Merino Ply used for internal construction to ensure long life

Designed to create a resimercial influence with uniquely curved backrests and cushioning that invites relaxation

Concealed wiring for power inputs to the electrical accessory to ensure aesthetics for all seating products

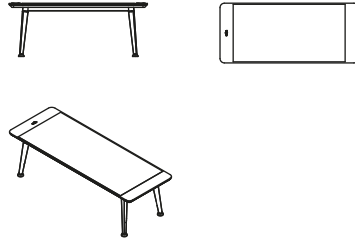
Dedicated Sofa (Small)

760 L x 760 D x 790 H



Center Table

1250 L x 540 D x 480 H



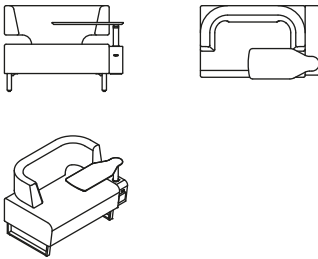
High Stool

Ø 430 x 770 H



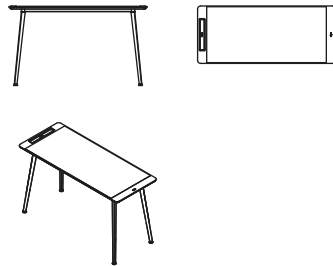
Dedicated Sofa (Large)

1090 L x 660 D x 790 H



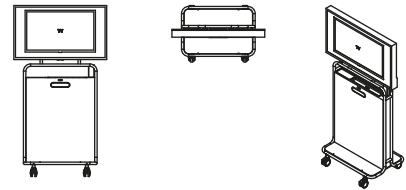
High Table (6 Seater)

1800 L x 750 D x 1030 H



Digital Display Unit*

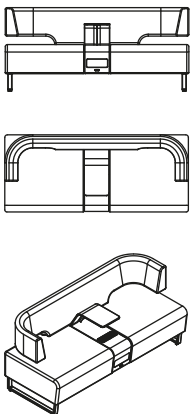
775 W x 580 D x 1800 H



* Suitable for 42" / 44" tv

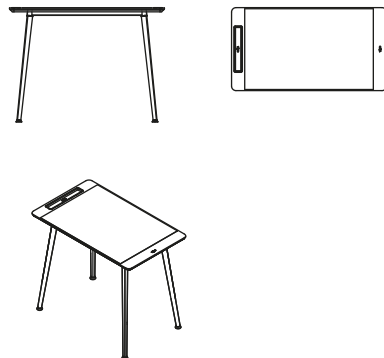
Two Seater Sofa

1740 L x 660 D x 790 H



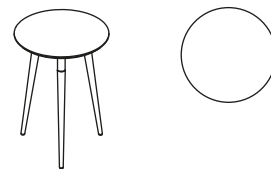
High Table (4 Seater)

1400 L x 750 D x 1030 H



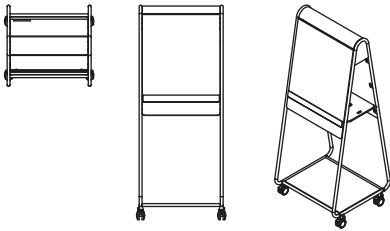
Round Table

Ø 750 x 1028H



A-Board

720 L x 750 D x 1900 H



Round Pouffe

Ø 500 x 450 H



Coffee Table

Ø 600 x 480 H



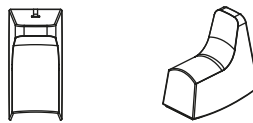
A-Board Stool

510 L x 410 D x 480 H



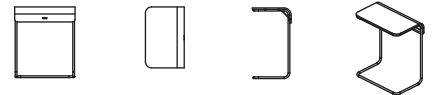
Saddle Pouffe (Large)

830 L x 400 W x 825 H



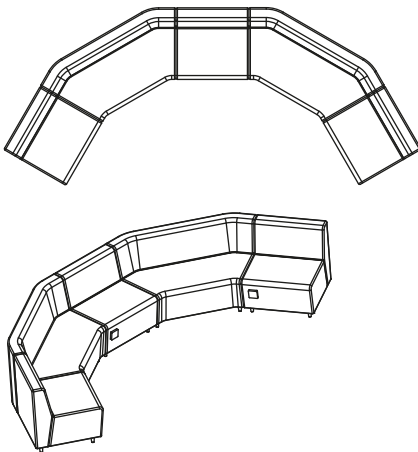
Personal Table

550 L x 350 D x 640 H



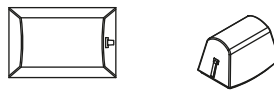
Lounge System

4400 L x 660 D x 790 H



Saddle Pouffe (Small)

650 L x 638 W x 450 H



Wall Ledge

900 L x 385 D x 440 H



TABLES

The current global trend has rapidly put in place the **new way of working from home**. The 'new normal' is seeing more and more companies adopt this policy for the employees, ensuring their well-being by providing correct working conditions.

At Wipro Seating Solutions, we are **committed to help everyone as we work remotely**; to work safe and work healthy. We offer a range of ergonomic solutions in work-tables that is suitable for the Indian home environment.

Idol



Selection of finishes

Table Top



Acacia
Exodus

Understructure



Linen White

Dimensions (mm): 900 (W) x 600 (D) x 750 (H)

Mural



Selection of finishes

Table Top



Canadian
Walnut

Understructure



Linen White

Dimensions (mm): 900 (W) x 600 (D) x 750 (H)

Travis



Selection of finishes

Table Top



Dark
Walnut

Understructure



Black
(Powder coating)

Dimensions: 900 (W) x 600 (D) x 750 (H)

Reagan



Selection of finishes

Table Top



Dark
Walnut

Understructure



Linen White

Dimensions (mm): 900 (W) x 600 (D) x 750 (H)

Arena



Selection of finishes

Table Top



Beech
Wood

Storage



Slate Grey

Dimensions (mm): 900 (W) x 600 (D) x 750 (H)

Octane



Selection of finishes

Table Top



Acacia
Exodus

Understructure



Black Metal

Dimensions (mm): 900 (W) x 550 (D) x 750 (H)

Flexiwork



Selection of finishes

Table Top



Canadian
Walnut

Understructure



Linen White



Black Metal
Linen

BIFMA
BIFMA Certification
Passes BIFMA X-5.1 Standards

Dimensions (mm): 900 (W) x 600 (D) x 750 (H)

Jiffy



Selection of finishes

Table Top



Frosty
White

Understructure



Linen White

Dimensions (mm): 1200 (W) x 750 (D) x 750 (H)

Caro



Selection of finishes

Table Top



Walnut
Bronze

Understructure



Linen White

Dimensions (mm): 1050 (W) x 600 (D) x 750 (H)

Freestand Air



Selection of finishes

Table Top



Walnut
Bronze

Understructure



Linen White

Dimensions (mm): 700 (dia), 635 (Min) / 1035 (Max H)

The Spirit of Wipro is the core of Wipro. These are our Values. It is about who we are. It is our character. It is reflected consistently in all our behavior. The Spirit is deeply rooted in the unchanging essence of Wipro. But it also embraces what we must aspire to be. It is the indivisible synthesis of the four values. The Spirit is a beacon. It is what gives us direction and a clear sense of purpose. It energizes us and is the touchstone for all that we do.

Be passionate about clients' success

We succeed when we make our clients successful. We collaborate to sharpen our insights and amplify this success. We execute with excellence. Always.

Treat each person with respect

We treat every human being with respect. We nurture an open environment where people are encouraged to learn, share and grow. We embrace diversity of thought, of cultures, and of people.

Be a global and responsible

We will be global in our thinking and our actions. We are responsible citizens of the world. We are energized by the deep connectedness between people, ideas, communities and the environment.

Unyielding integrity in everything we do

Integrity is our core and is the basis of everything. It is about following the law, but it's more. It is about delivering on our commitments. It is about honesty and fairness in action. It is about being ethical beyond any doubt, in the toughest of circumstances.



Seating Solutions

Wipro Enterprises (P) Limited - **Seating Solutions**,
Wipro House, #8, 80 Feet Road, Koramangala Block 1A, Bengaluru 560 034.
Toll-free No.: 1800282222. email: vibrant.solutions@wipro.com

www.wiprofurniture.in

Innovation and Design is a way of life at Wipro. We reserve the right to modify the product without prior intimation.



Scan this QR code
for more details



Available on
amazon Flipkart